

THE NEW SPECIALIZED HOT RUNNER SYSTEM FOR 2-STAGE PET PREFORMS

PET-Series incorporates features that focus on enhancing part quality, increasing productivity and lowering part cost. PET systems are compatible with many industry standard layouts, existing molds and fit into all major machine platforms including those with post mold technology. Now includes MasterSHIELD Technology, as standard, for enhanced leakage protection.

KEY FEATURES

NEW PET Nozzle

- Improved thermal profile.
- Field replaceable heater sleeve.
- NEW MasterSHIELD Leak Protection Technology.
- Increased service life of nozzle tip insulators.
- Low power consumption.

NEW PET Actuator

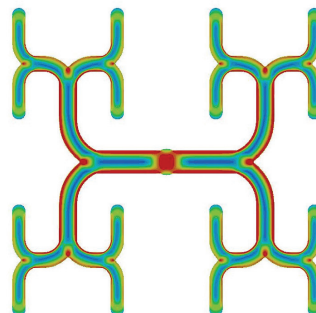
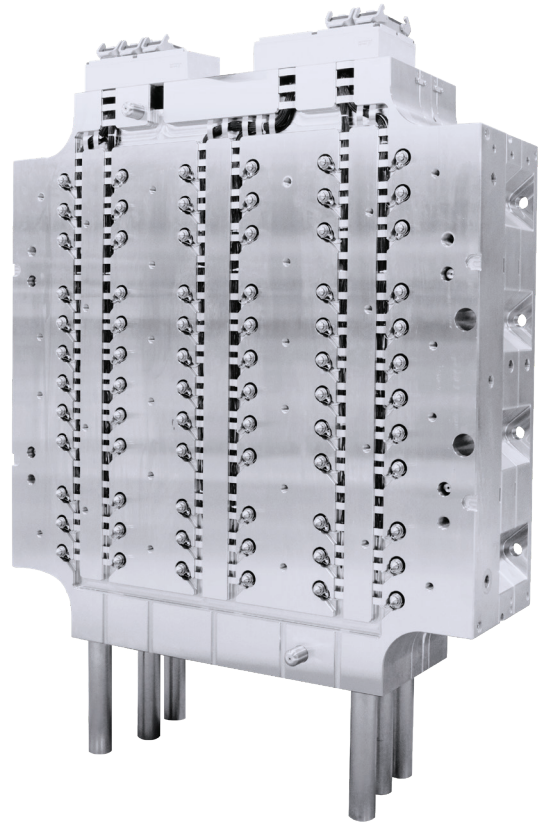
- Run cool design.
- Reduces PET dust and extends piston seal life.
- Extends service intervals and minimizes unscheduled downtime.
- Quick and easy pin access.

iFLOW Manifold Technology

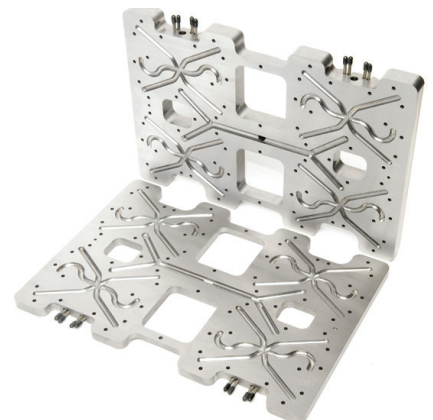
- Multi-level manifold design.
- Best in-class melt management.
- Extensive flexibility for design optimization.
- Industry leading mold fill balance.
- Rapid performance.
- Reduced AA levels.

Global Support Network

- Industry leading aftermarket support.
- Many spare parts in stock and ready to ship.

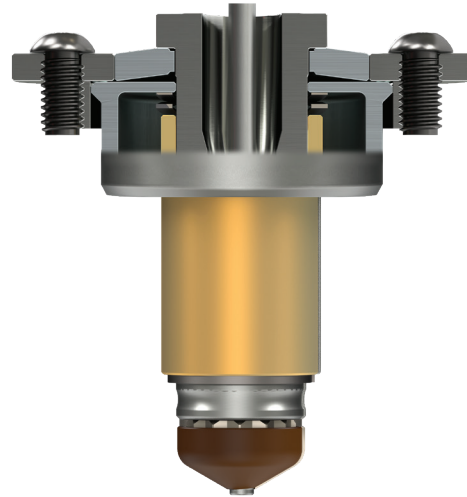


Enhanced shear control



NEW MASTERSHIELD LEAK PROTECTION TECHNOLOGY

- A robust spring design that maintains the seal between the nozzle and manifold.
- Provides a more consistent sealing force vs. conventional designs.
- Minimizes risk of plate deflection/bowing that causes leakage and reduces gate wear.
- Offers a much wider and more reliable range of operation.
- Minimizes excessive load on the entire stack.



SYSTEM OPTIONS

- Co-injection Multi-Layer Barrier Technology

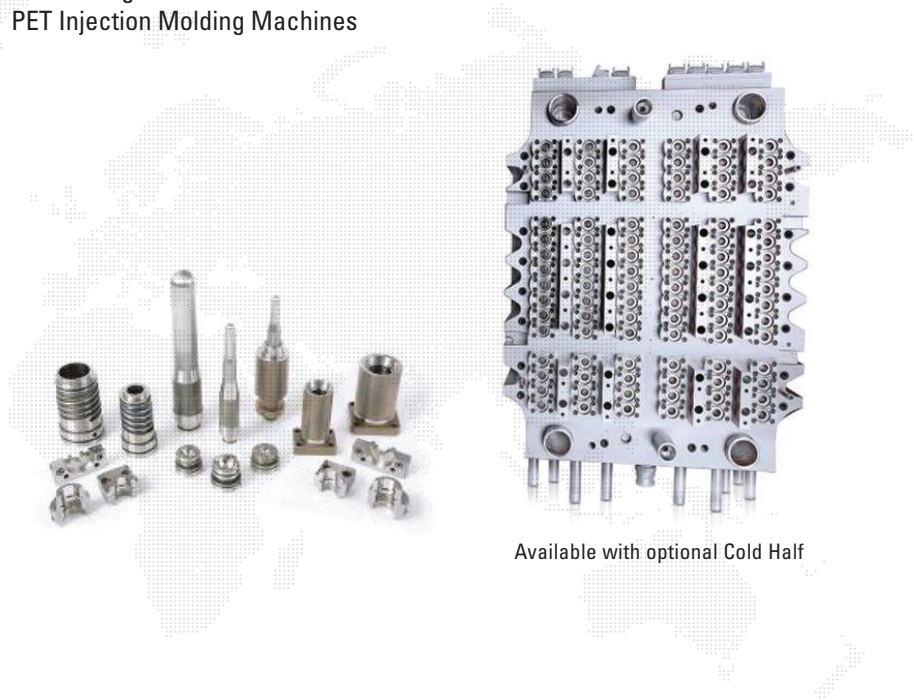
TURNKEY OPTIONS

- PET Cold half
- PET Tooling
- PET Injection Molding Machines



YOUR GLOBAL FULL SERVICE AND SUPPORT TEAM

- Spare parts
- Service & Repairs
- Technical Support
- Refurbishments
- Preventative Maintenance (Lifecycle management)
- Training



Available with optional Cold Half



TempMaster™ M2+ series

For peak performance and superior results, Mold-Masters recommends using TempMaster M2+ temperature controllers with all PET-Series hot runner systems. Unlock your operations full potential with TempMaster.